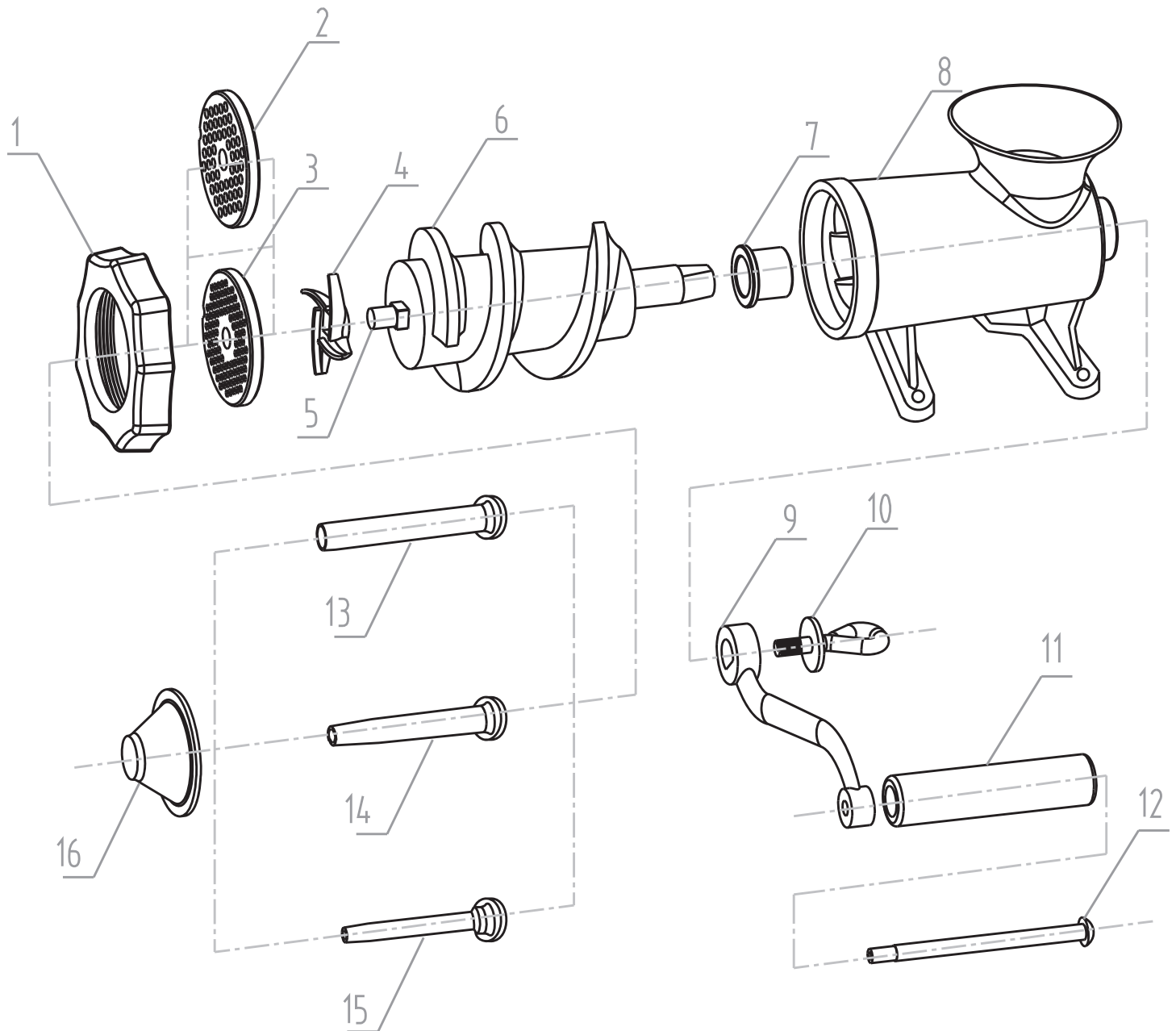


Parts Breakdown

Item 11012





Parts Breakdown

Item 11012

Item No.	Description	Position	Item No.	Description	Position	Item No.	Description	Position
74436	Hand Wheel for 11012	1	74440	Meat Auger for 11012	6	74446	Stuffing Tube (1/2 Inches) for 11012	13
31872	Grinder Plate \varnothing 3/8 Inches (Selective) for 11012	2	31871	Bushing for 11012	7	74447	Stuffing Tube (11/16 Inches) for 11012	14
74437	Grinder Plate \varnothing 3/16 Inches for 11012	3	74441	Body for 11012	8	74448	Stuffing Tube (3/4 Inches) for 11012	15
74438	Knife for 11012	4	74442	Handle Frame for 11012	9, 11-12	74449	Stuffing Tube Base for 11012	16
74439	Square Shaft for 11012	5	74443	Wing Screw for 11012	10			